

Lateral connection

Diagram n°22

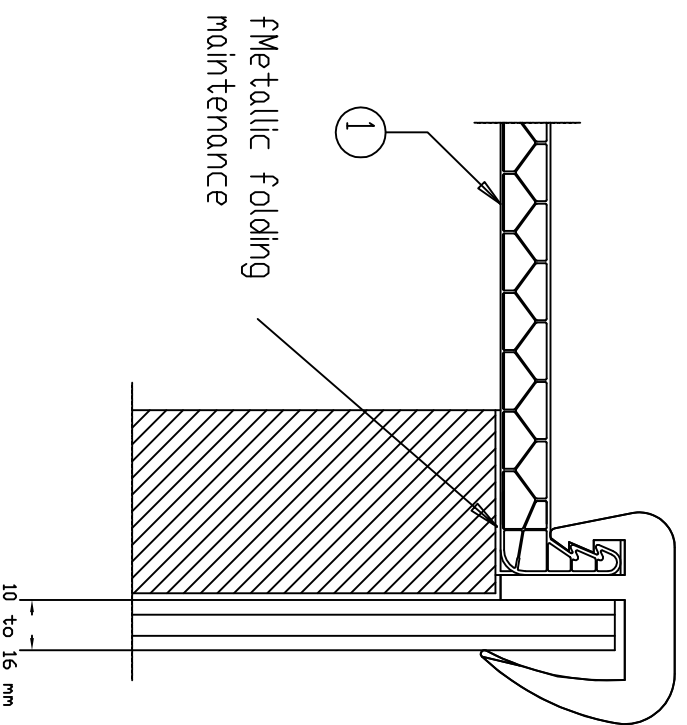
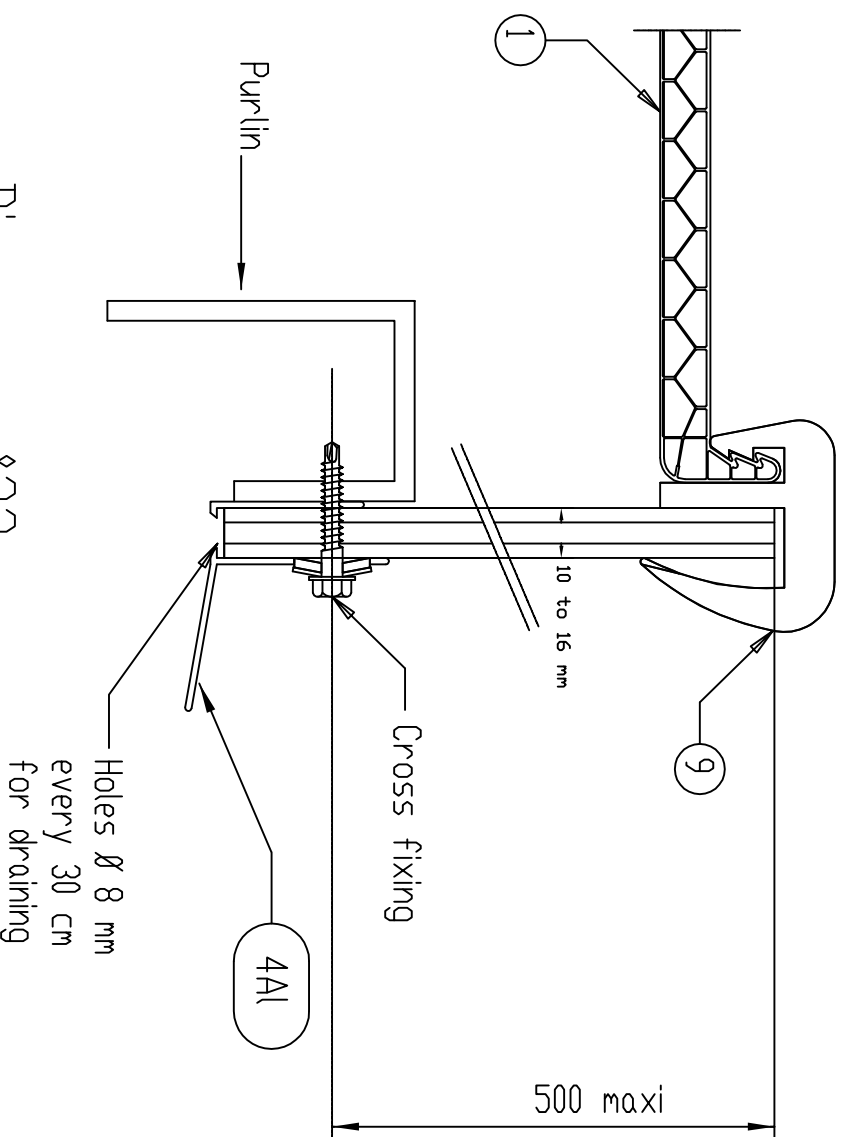


Diagram n°23



Diagrams 22 and 23

Lateral connection

Date 7/2006

DANPALON

Drawing n°

DAN PAL

Light architecture

Tel: +44 (0) 1858 468323
 Fax: +44 (0) 1858 468323
 Email: info@danpal.co.uk