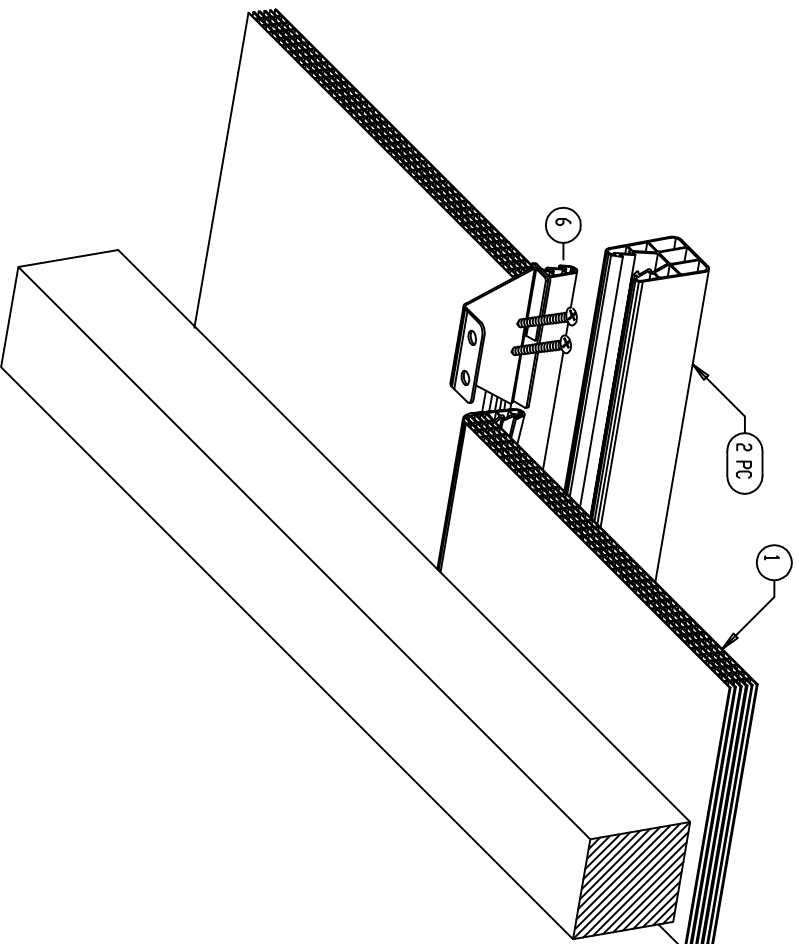


Stainless steel fastener



DATE : 06/2001

DANPALON

Drawing n° 09

FIXING ON PURLIN

DAN PAL
Light architecture

Tel: +44 (0) 1858 468323
Fax: +44 (0) 1858 468323
Email: info@dampal.co.uk